

TABLE "A" RAFTER SPANS (DOUGLAS FIR #2 OR BETTER)		
SIZE	SPACING	SPAN
2x4 (e)	12" O.C.	9'-10"
	16" O.C.	8'-11"
4x4	24" O.C.	7'-8"
	32" O.C.	*6'-3"
2x6 (e)	12" O.C.	15'-4"
	16" O.C.	13'-9"
4x6	24" O.C.	11'-3"
	32" O.C.	*9'-7"
	12" O.C.	20'-0"
2x8 (e)	16" O.C.	18'-2"
	24" O.C.	14'-10"
	32" O.C.	*12'-8"
2x10 (e)	12" O.C.	20'-0"
	16" O.C.	20'-0"
	24" O.C.	18'-11"
4x10	32" O.C.	*16'-2"
	24" O.C.	10'-0"
	32" O.C.	*9'-3"
4x4	48" O.C.	*7'-8"
	24" O.C.	15'-11"
	32" O.C.	*13'-9"
4x6	48" O.C.	*11'-3"
	24" O.C.	20'-0"
	32" O.C.	*18'-2"
4x8	48" O.C.	*14'-10"

TABLE "B" HEADER SIZE & SPANS (DOUGLAS FIR #2 OR BETTER)		
RAFTER SPAN	HEADER	
	SPAN	SIZE
UP TO 12'-0"	8'-0" MAX	4 x 6
	10'-0" MAX	4 x 8
	12'-0" MAX	4 x 10
	14'-0" MAX	4 x 12
12'-1" TO 20'-0"	8'-0" MAX	4 x 8
	10'-0" MAX	4 x 10
	12'-0" MAX	4 x 12
	14'-0" MAX	4 x 14

TABLE "C" FOOTING SIZE
BASE ON 1,000 P.S.F. SOIL BEARING PRESSURE.
18" SQ. X 12" DEEP
18" SQ. X 12" DEEP
18" SQ. X 12" DEEP
18" SQ. X 12" DEEP
24" SQ. X 12" DEEP
24" SQ. X 12" DEEP
24" SQ. X 12" DEEP
24" SQ. X 12" DEEP

TABLE "D" LEDGER BOLTING
ALL LAG BOLTS SHALL HAVE 1/4" PRE-DRILLED HOLES (See Note b)
3/8" DIA. X 5" LONG AT 16" O.C. STAGGERED
(2) 3/8" DIA X 5" LONG AT 16" O.C.


NOTES:

- TWO 2X MEMBERS MAY BE SUBSTITUTED FOR ONE 4X HORIZONTAL FRAMING MEMBER, EXCEPT IN **HIGH FIRE ZONE**.
- LAG BOLTS MUST FULLY ENGAGE A WOOD STUD OR RIM JOIST AND BE PROVIDED WITH APPROPRIATE WASHERS. LAG BOLTS SHALL BE LOCATED A MINIMUM OF 1-1/2" FROM THE TOP OR BOTTOM OF THE LEDGER.
- NOT DESIGNED TO BE ENCLOSED - ADDITIONAL ENGINEERING ANALYSIS WILL BE REQUIRED IF ENCLOSED.
- SEE PAGE 2 OF 2 FOR CONSTRUCTION DETAILS.
- 2x JOISTS ARE NOT ALLOWED IN **HIGH FIRE ZONE**. PLEASE REFER TO 4x JOIST SCHEDULE FOR **HIGH FIRE ZONE**.
- PLYWOOD AND ROOFING MATERIAL USED IN **HIGH FIRE ZONE** SHALL BE CLASS "A".

DISCLAIMER:

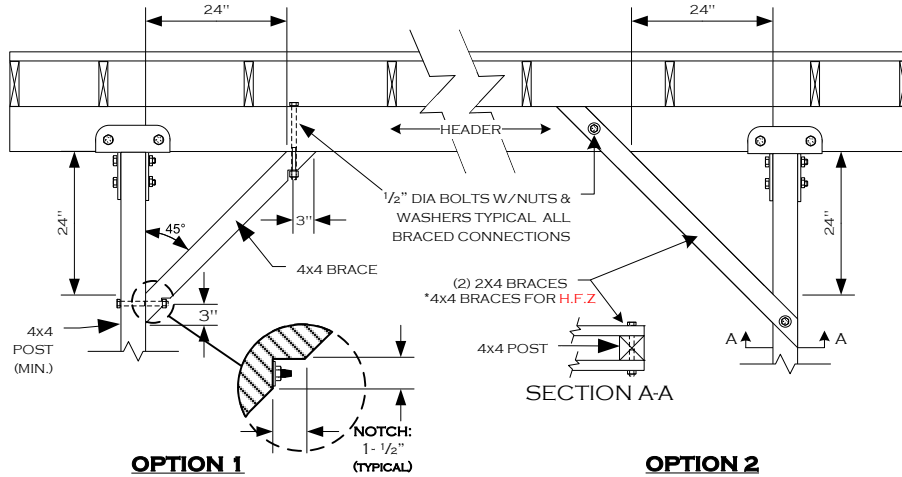
ALTERNATE PATIO DESIGNS MAY BE POSSIBLE WHEN PROVIDED WITH AN ENGINEERED ANALYSIS. USE OF THIS CONVENTIONAL STANDARD DESIGN IS AT THE USER'S RISK AND CARRIES NO IMPLIED OR INFERRED GUARANTEE AGAINST FAILURE OR DEFECTS.

* THIS SPACING AND SPAN IS FOR LATTICE PATIO COVERINGS ONLY.

	CITY OF PERRIS		
	PATIO COVER STANDARD		
TEL (951) 943-5003	135 N. D ST. PERRIS, CA.92570		
UPDATED	01/2026	WWW.CITYOFPERRIS.ORG	PAGE 1 OF 2

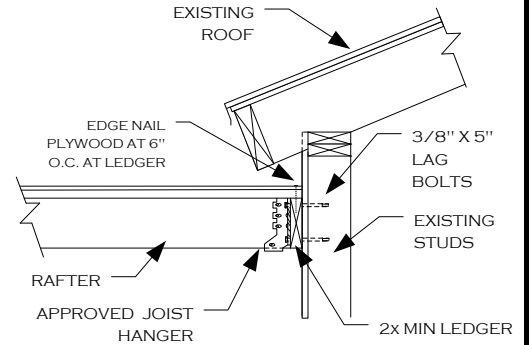
KNEE BRACE DETAIL AT END POSTS

(REQUIRED WHEN RAFTER SPAN EXCEEDS 12 FT.)



LEDGER ATTACHMENT

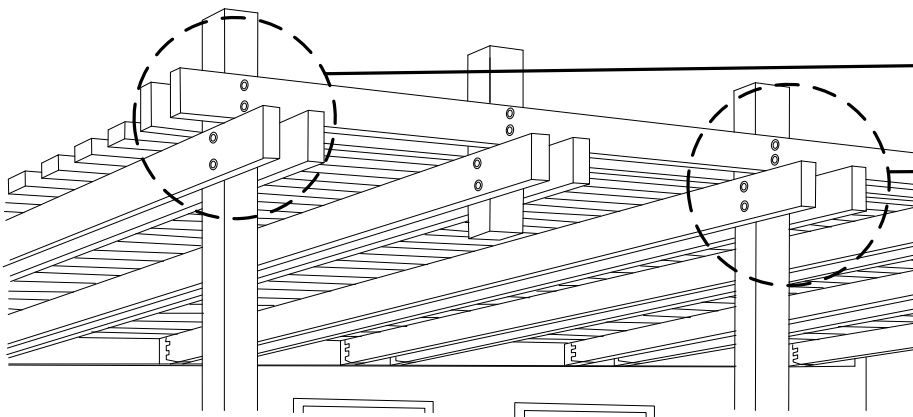
DETAIL



NOTES:

1. USE A CONTINUOUS 2x MIN LEDGER – SAME DEPTH AS RAFTER OR LARGER. ATTACH 2X BLOCKINGS TO 2x LEDGER WITH 10 D NAILS
2. SEE TABLE "D" FOR BOLTING REQUIREMENTS

INVERTED HEADER DESIGN OPTION (LATTICE ONLY)

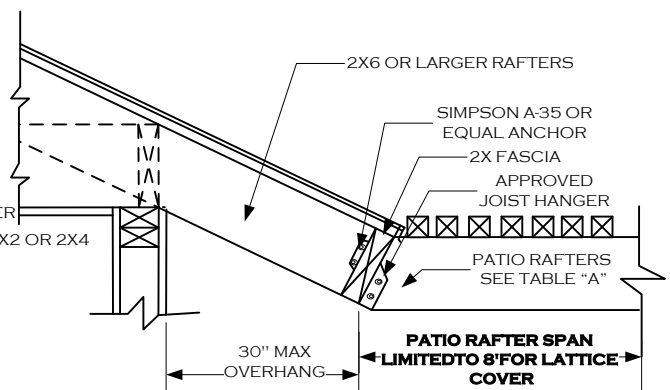
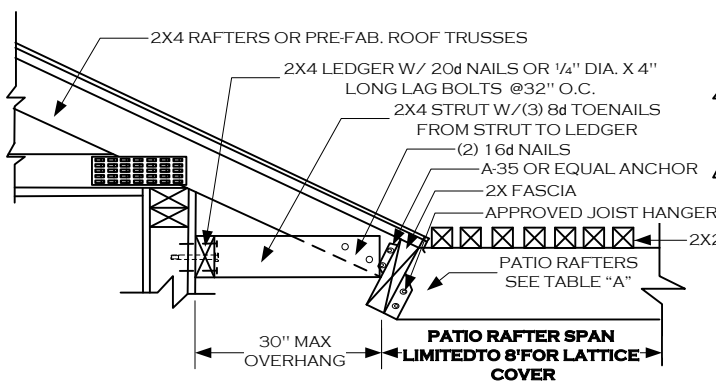


NOTE: KNEE BRACING REQUIRED WHEN RAFTER SPAN EXCEEDS 12 FEET.

2X FASCIA (OVERHANG) ATTACHMENT – LATTICE ONLY

OPTION 1

OPTION 2



NOTE: VERIFY STRUCTURAL SOUNDNESS OF ROOF RAFTERS FOR DECAY OR TERMITE DAMAGE, AND REPLACE WITH LIKE MATERIALS AS NEEDED, AFTER CONSULTATION WITH THE BUILDING DEPARTMENT.



CITY OF PERRIS

PATIO COVER STANDARD

TEL (951) 943-5003

135 N. D ST. PERRIS, CA. 92570

UPDATED

01/2026

WWW.CITYOFPERRIS.ORG

PAGE 2 OF 2