

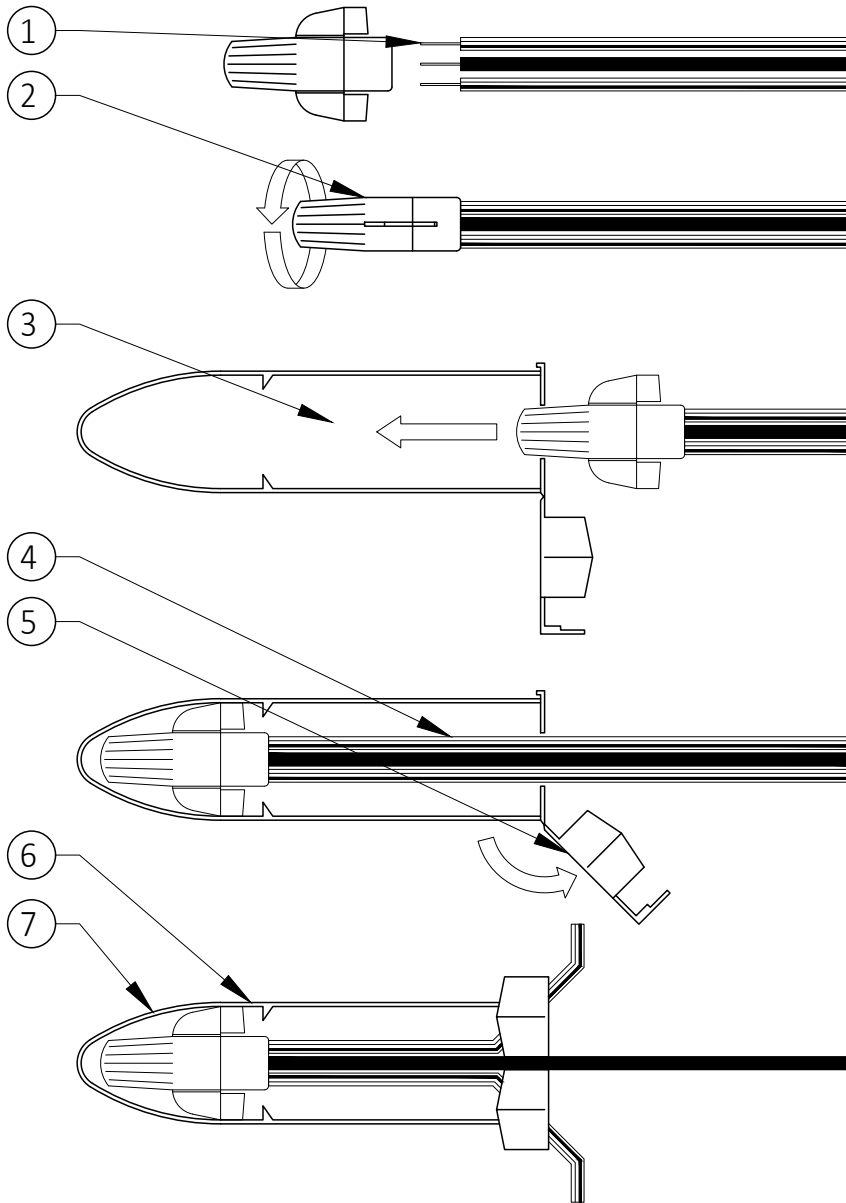


CITY OF PERRIS

DEVELOPMENT SERVICES DEPARTMENT

PLANNING DIVISION

135 NORTH D STREET, PERRIS, CA 92570-2200
(951) 943-5003



LEGEND:

- ① STRIP WIRES APPROX. 3/4" FROM ENDS
- ② WITH WIRE ENDS EVEN, INSERT WIRES INTO THE CONNECTOR AND TIGHTEN UNTIL SECURE
- ③ INSERT THE CONNECTOR ALL THE WAY INTO THE TUBE UNTIL THE CONNECTOR RESTS ON THE BOTTOM
- ④ FOLD THE WIRE INTO THE CHANNELS
- ⑤ CLOSE THE CAP
- ⑥ COMPLETED WATERPROOF WIRE CONNECTION
- ⑦ CONNECTIONS SHALL BE 3M DBR/Y WIRE CONNECTOR OR APPROVED EQUAL

N.T.S.

2-WIRE SYSTEMS

I-12

DATE: 08/12/24