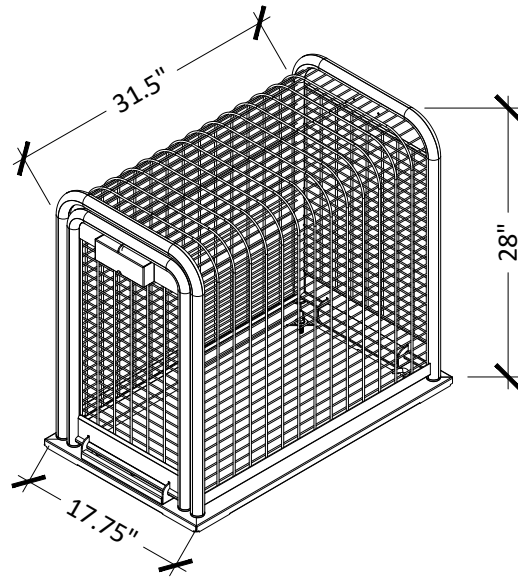




# CITY OF PERRIS

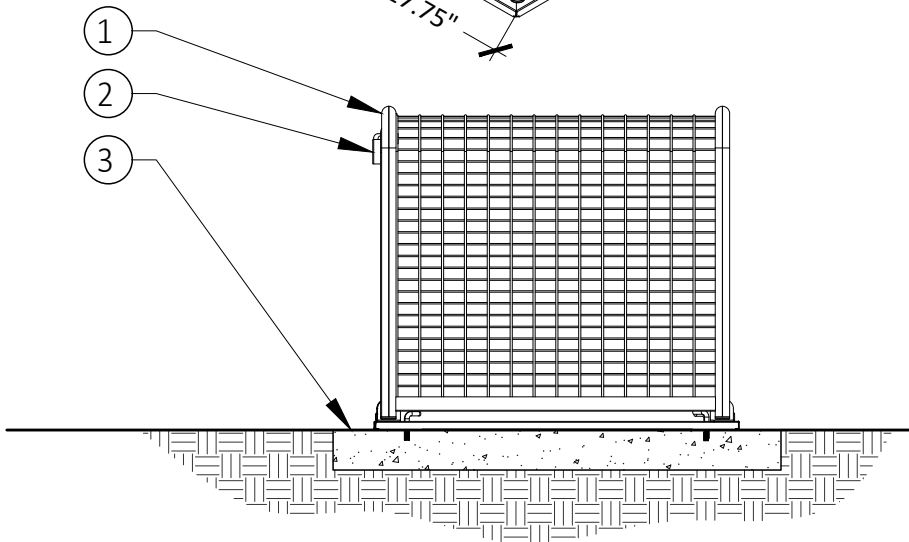
## DEVELOPMENT SERVICES DEPARTMENT PLANNING DIVISION

135 NORTH D STREET, PERRIS, CA 92570-2200  
(951) 943-5003



### LEGEND:

- ① STRONG BOX SBBC-30SS OR EQUAL
- ② HASP FOR PADLOCK
- ③ CONCRETE PAD



### NOTES:

1. FINISH TO BE TWO COATS OF SEMI-GLOSS GREEN ENAMEL PAINT
2. STAINLESS STEEL REQUIRED FOR ALL LANDSCAPE MAINTENANCE DISTRICT AREAS
3. CONTRACTOR TO REQUEST LOCK FROM CITY INSPECTOR

N.T.S.

## BACKFLOW PREVENTION ENCLOSURE

I-21

DATE: 08/12/24