

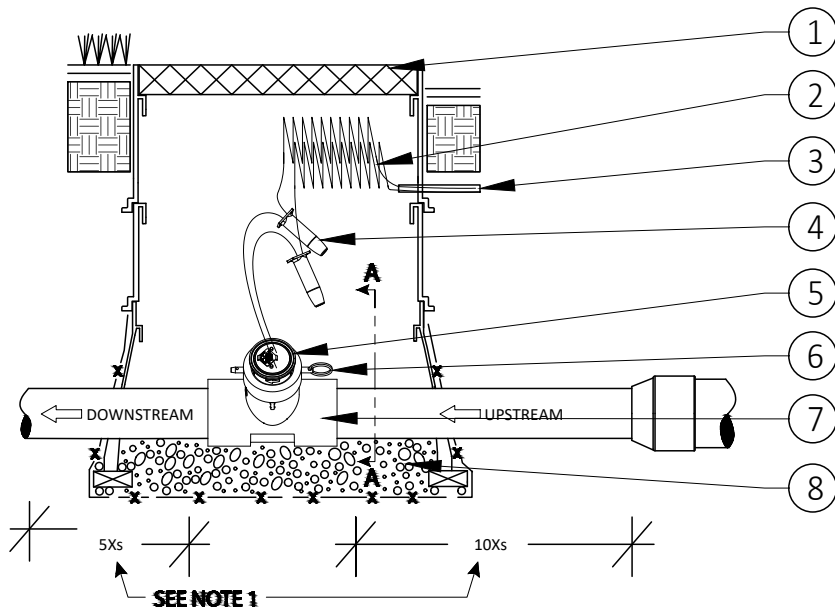


CITY OF PERRIS

DEVELOPMENT SERVICES DEPARTMENT

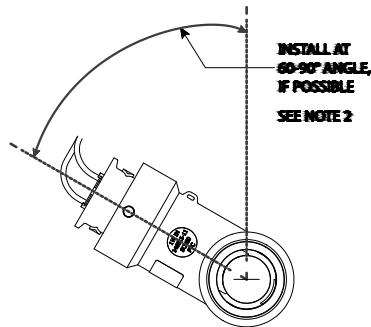
PLANNING DIVISION

135 NORTH D STREET, PERRIS, CA 92570-2200
(951) 943-5003



LEGEND:

- ① PLASTIC VALVE BOX TO PROVIDE ACCESS
- ② DIRECT BURIAL 1 PAIR, TWISTED SHIELDED CABLE. RECOMMENDED MINIMUM CONDUCTOR SIZE 18 AWG. RATED FOR DISTANCES UP TO 2,000 FT. ENSURE A SERVICE LOOP (EXTRA WIRE LENGTH) IS PROVIDED AT THE FLOW SENSOR IN CASE MAINTENANCE IS NEEDED.
- ③ CABLE ENROUTE TO IRRIGATION CONTROLLER VIA CONDUIT
- ④ 3M DBR/Y-6 SPLICE KIT OR EQUIVALENT DIRECT BURIAL SPLICE KIT
- ⑤ ULTRASONIC FLOW SENSOR PER LEGEND
- ⑥ QUICK RELEASE PIN
- ⑦ TEE COMPATIBLE WITH FLOW SENSOR. SELECT TEE SIZE PER APPLICATION FLOW RATES REQUIRED (SEE DATA SHEET)
- ⑧ GRAVEL SHALL BE PLACED AT BOTTOM OF TEE AND SHALL BE A MIN. OF 10" DEEP.



SECTION A-A

NOTES:

1. 5Xs MEANS 5 TIMES PIPE'S INNER DIAMETER AND 10Xs MEANS 10 TIMES PIPE'S INNER DIAMETER
2. FOR 1-INCH THRU 4-INCH PIPE INSTALLATIONS, THIS ANGLE IS ESPECIALLY IMPORTANT AND SHOULD BE SET AT 60-90 DEGREES FOR MOST ACCURATE OPERATION

N.T.S.

FLOW SENSOR

I-19

DATE: 08/12/24